

APPROVAL - CUSTOMER NAME & SIGNATURE

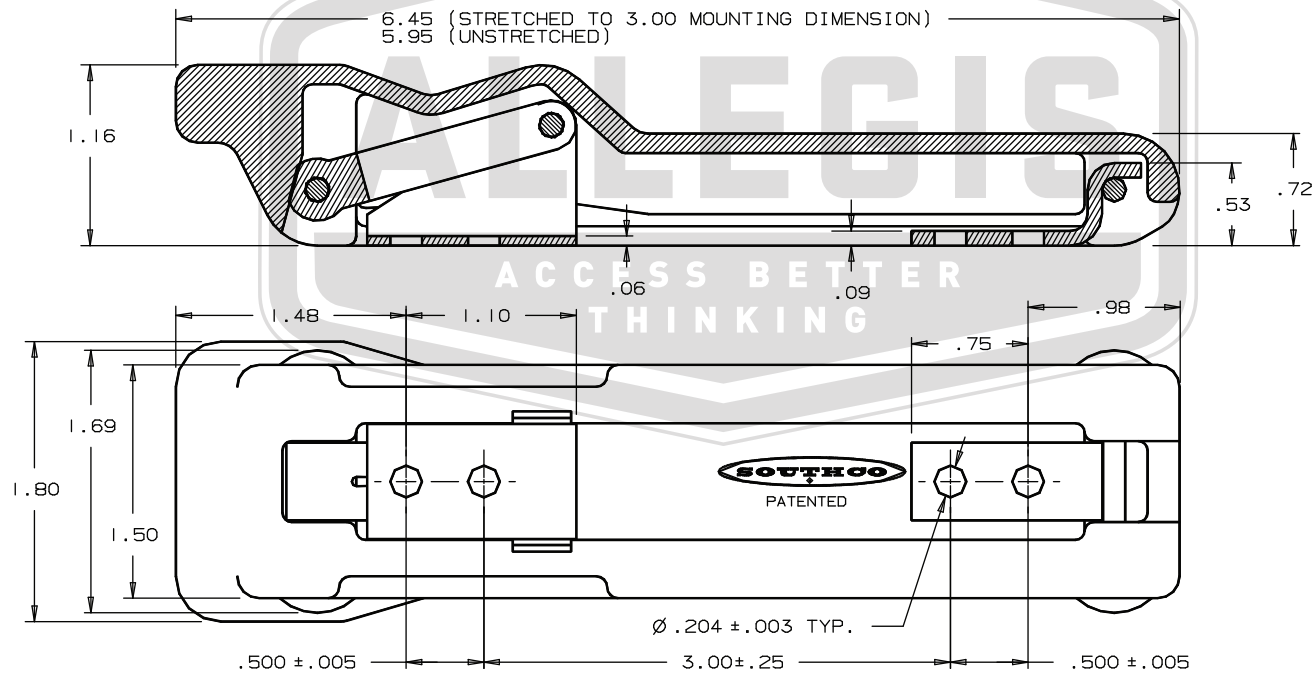
DATE

REV.	DATE	BY-CHKD	REVISIONS	ITEM	COMPONENT	PART NO.	MATERIAL	FINISH
A	11/1/89	RES	UPDATED LATCH BODY PROFILE	ASSEMBLY		C7-20		
B	12-20-90	RHB	PRN C7-14		LATCH SUB-ASSL'Y		SEE NOTE 1	SEE NOTE 1
C	12 JAN.93	KPL	PRN: S-1-03		KEEPER		304 STAINLESS STEEL	PASSIVATED
D	04DEC95	ALC	PRN C7-34					

NOTES:

- LATCH SUB-ASSEMBLY CONSISTS OF:
 LATCH BODY - THERMOPLASTIC ELASTOMER, BLACK
 LEVER AND BUSHINGS - GLASS REINFORCED NYLON, BLACK
 PINS - 300 SERIES STAINLESS STEEL, PASSIVATED
 BRACKET - 304 STAINLESS STEEL, PASSIVATED
 RIVET - 430 STAINLESS STEEL, PASSIVATED
- MOUNT USING 3/16 RIVETS, No. 10, OR M5 SIZE HARDWARE.
- LATCH APPLIES APPROX. 40 lb STEADY STATE CLAMP LOAD AT ROOM TEMPERATURE.

CHANGE PART No. TO C7-20-B FOR BULK PACKAGED ASSEMBLIES.



MOUNTING DIMENSIONS

TOLERANCE ON ENVELOPE DIMENSIONS ±.02

FORMAT A 3/88

ALLEGIS		1-866-378-7550
MATERIAL: Rubber, Stainless Steel	DRAWING NO. : C7-20	
FINISH:		
REV.:	1:1	DATE: 5/29/2019